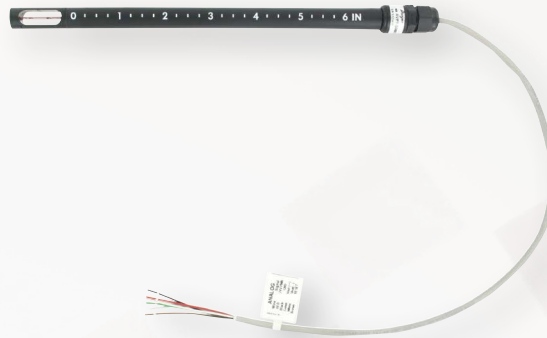




## SERIES AVPT | PENCIL STYLE AIR VELOCITY TRANSMITTER

---



### FEATURES/BENEFITS

---

- Sensing elements have been coated with an engineered conformal coating to ensure durability and longevity
- Varying lengths for easy installation
- Functionality at temperatures below freezing

### APPLICATIONS

---

- VAV systems
- Building ducts

### DESCRIPTION

---

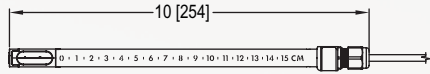
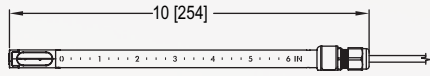
The **Series AVPT Pencil Style Air Velocity Transmitter** uses thermal anemometer technology to provide high accuracy and stable air velocity measurements in imperial and metric units. The Series AVPT can be configured with either a voltage output or BACnet MS/TP communication to provide universal inputs to a variety of monitoring equipment. Models are available with fixed cable lengths of 20 or 78 inches with flying leads or a 5-pin M12 connector on a 24 inch cable. Probes are available in lengths of 6 or 12 inches. A mounting flange included with the product provides the ability to vary insertion depth.

Models are available in 3% or 5% accuracy to suit a variety of applications, while the optional BACnet MS/TP communication protocol allows units to be daisy-chained to provide access to all of the velocity and temperature measurements.

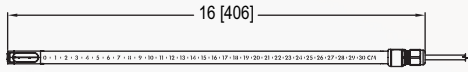
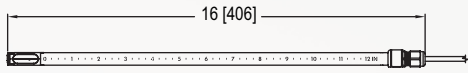
## SPECIFICATIONS

<b>Service</b>	Clean air.
<b>Ranges</b>	1000, 2000, 3000, or 4000 FPM (5, 10, 15, or 20 m/s); Model specific.
<b>Accuracy</b>	Standard: $\pm(5\%$ reading +40 FPM); High Accuracy: $\pm(3\%$ reading +40 FPM); Model specific.
<b>Power Requirements</b>	24 VAC/VDC $\pm 20\%$ .
<b>Current Consumption</b>	<50mA.
<b>Outputs</b>	Analog: 0-10 V (0-5 V configurable). BACnet MS/TP: Selectable at time of order.
<b>Supported Baud Rate</b>	9600, 19200, 38400, 57600, 76800, and 115200.
<b>Voltage Output Load Resistance</b>	10k $\Omega$ minimum (10 V output with AC supply); 1k $\Omega$ minimum all other conditions.
<b>Electrical Connection</b>	Cable: Plenum rated cable with 22 AWG conductors; 5-Conductor Cable whip: 20" (0.5 m) or 78" (2 m); 5-pin M-12: 24" (0.6 m); Model specific.
<b>Response Time (90%)</b>	4 s, typical.
<b>Operational Temperature Limits</b>	-4 to 140°F (-20 to 60°C).
<b>Storage Temperature Limits</b>	-40 to 140°F (-40 to 60°C).
<b>Probe Length</b>	6" or 12"; Model specific.
<b>Enclosure Rating</b>	NEMA 3.
<b>Mounting Orientation</b>	Flow direction must be parallel to the sensor tip; See Installation section for details.
<b>Weight</b>	1.4 oz (40g); based on M12 connection with 12" probe length.
<b>Agency Approvals</b>	CE, RCM, BTL, UL plenum rated (UL tested).

## DIMENSIONS

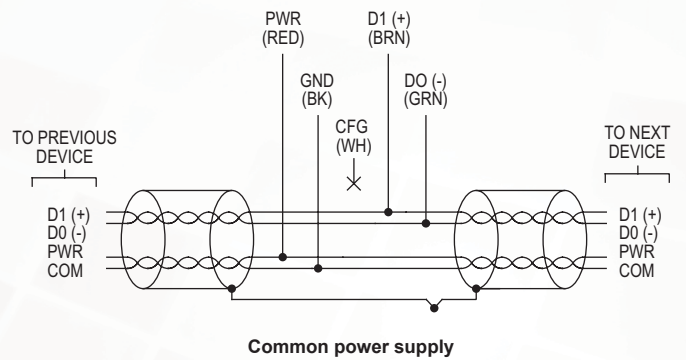
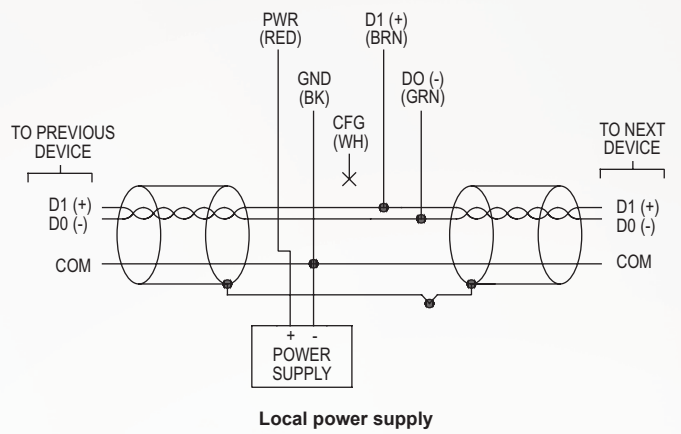
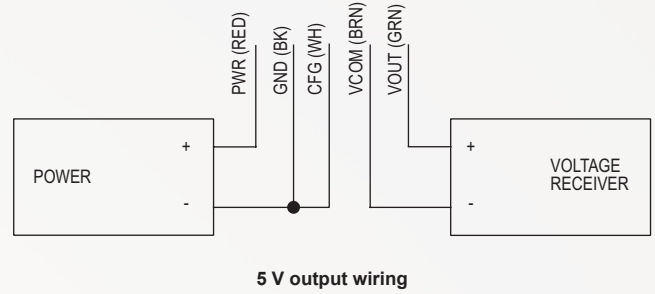
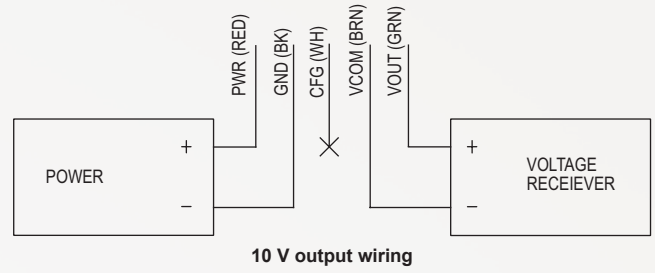


6" probe length



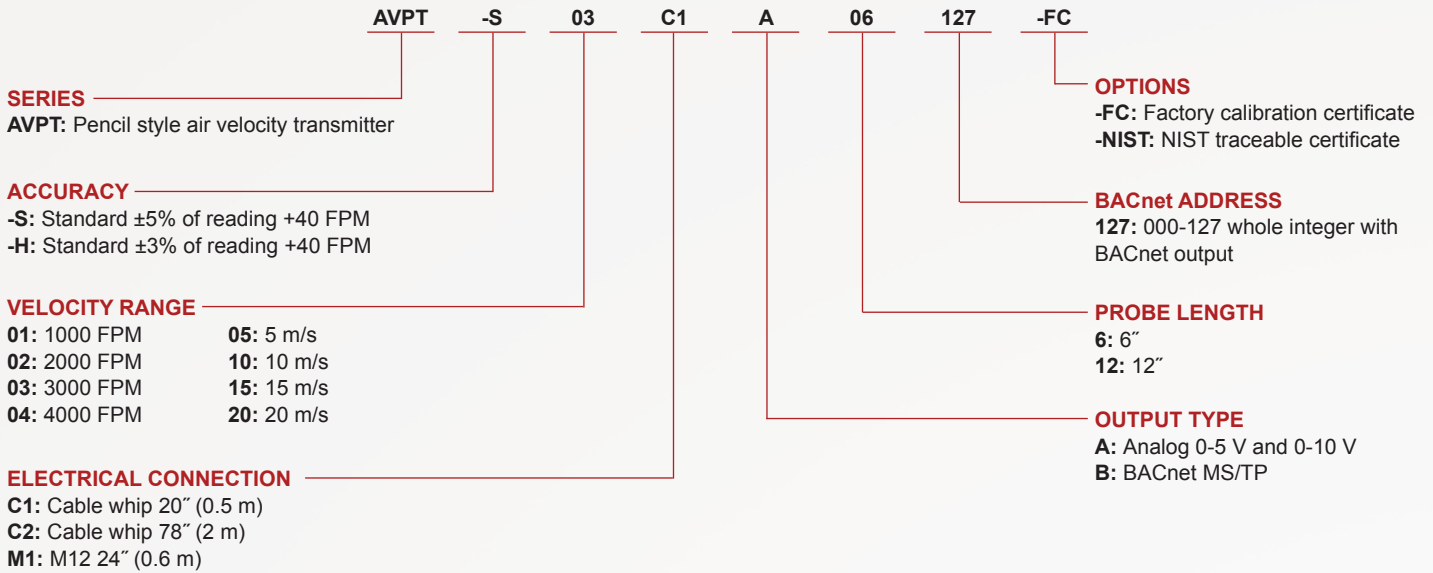
12" probe length

## WIRING DIAGRAM



## HOW TO ORDER

Use the **bold** characters from the chart below to construct a product code.



## ACCESSORIES

Model	Description
<b>SCD-PS</b>	100 to 240 VAC/VDC to 24 VDC power supply
<b>A-AVUL-MTG</b>	Replacement mounting flange
<b>A-AVUL-QFG</b>	Quick fix cable gland for outside the duct installation

Modbus® is a registered trademark of Schneider Automation, Inc.

ORDER ONLINE TODAY!  
[dwyer-instruments.com/Product/SeriesAVPT](http://dwyer-instruments.com/Product/SeriesAVPT)



DWYER INSTRUMENTS, INC.

©Copyright 2019 Dwyer Instruments, Inc.  
 Printed in U.S.A. 11/19

DS-AVPT

Important Notice: Dwyer Instruments, Inc. reserves the right to make changes to or discontinue any product or service identified in this publication without notice. Dwyer advises its customers to obtain the latest version of the relevant information to verify, before placing any orders, that the information being relied upon is current.